



The safest and most versatile probes available on the market!

The Direct Drive Model 751™ coupon holder allows a corrosion coupon to be inserted and extracted from a pressurized system through a full opening valve. This is accomplished without the use of a special insertion device or the force and bulky equipment associated with pneumatic or hydraulic methods. The coupon insertion depth is adjustable to permit coupon positioning at precisely the desired depth within the pipeline or process. All coupon holders are supplied with the necessary mounting hardware to attach the standard coupon type to the probe.

Technical Specifications

Maximum pressure rating	3,750 psig
Maximum temperature	225 °F (107 °C)
Probe lengths (for other lengths contact the factory)	L: 8", 12", 18", 24", 36", 48" A: ~ 16", 20", 26", 32", 44", 56" (refer to L & A dimensions on back)
Installation valve requirement	3/4", 1" or 1.5" NPT full opening valve (others available upon request)
Wetted materials	Machined parts: 316/316L stainless steel / NACE compliant and Perfluoroelastomer threaded bushing All other metal parts: stainless steel / NACE compliant Sealing material: PTFE / Neoprene rubber standard
Coupon type	1/16" thick flat coupon (Refer to dimensions on back) (Customer supplied coupon - not included)

Product Brief

Applications

- Corrosion coupon insertion and extraction from a pressurized system

Benefits

- API 14.1, GPA 2166 and ISO 10715 probe compliance
- Easy, quick, safe, insertion and extraction from a pressurized system
- Does not require special insertion device
- Horizontal or vertical mounting

Features

- Adjustable length
- Vibration resistant
- High pressure rating
- Stainless steel construction
- Field serviceable packing material



DASTEC S.R.L.

Representantes / Distribuidores Exclusivos

Buenos Aires, Argentina
Tel.: (54 - 11) 5352-2500
Email: info@dastecsrl.com.ar
Web: www.dastecsrl.com.ar

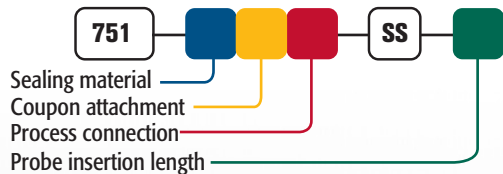
Analyzer Sampling Solutions > Moisture & Corrosion Control > Knowledgeware

Model Numbering & Additional Part Numbers

Your model number is determined by your specific needs. Choose options below.

Sealing material	0 = PTFE/Neoprene rubber	J = RGD resistant HNBR	(other materials available upon request)
Coupon attachment	1 = Standard 1/16" flat coupon (other coupon connections available upon request)		
Process connection	3 = 3/4" NPT	4 = 1" NPT	6 = 1.5" NPT
Probe insertion length	8, 12, 18, 24, 36, 48 inches		
Sealing material replacement	Part # 75X-570	(sold separately - contains Teflon®/Neoprene seals)	
Coupon mounting replacement	Part # 751-TI-1	(sold separately - contains 10/32 mounting screws & Teflon® inserts)	
Speed wrench	Part # ACC-SW	(sold separately)	

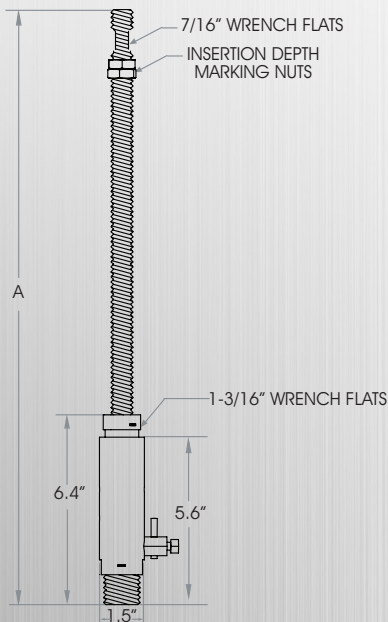
How to build the model number:



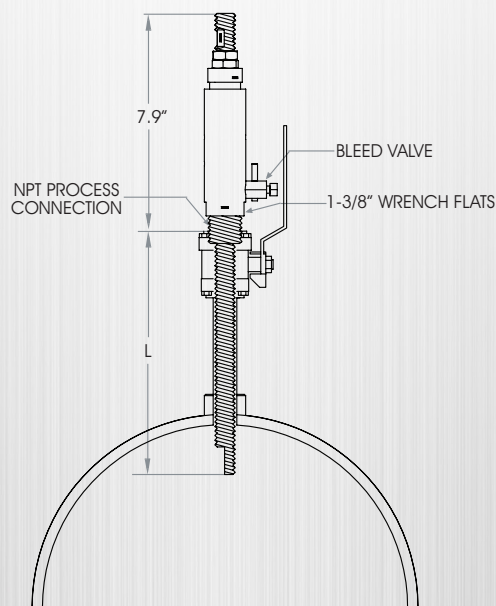
Not designed for external fire. Prior to use in a system, a properly sized relief device is to be installed which limits the use to 110% of the MAWP.

Dimensions

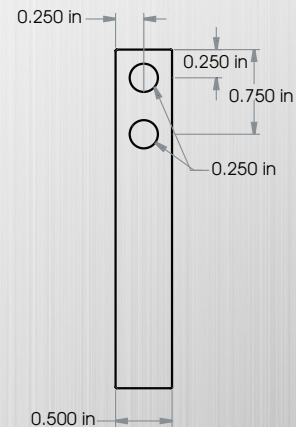
Uninstalled



Installed



Corrosion Coupon



DASTEC S.R.L.

Representantes / Distribuidores Exclusivos

Buenos Aires, Argentina

Tel.: (54 - 11) 5352-2500

Email: info@dastecsr.com.ar

Web: www.dastecsr.com.ar

A+ Corporation is the leader in Analytically Correct™ Sample Extraction and Conditioning Systems.

Contact us for expert product application assistance.

sales@geniefilters.com > 225.644.5255 > Fax 225.644.3975

41041 Black Bayou Road, Gonzales, LA 70737 An ISO 9001:2008 Certified Company

U.S. Patents 6,904,816; 8,522,630; 9,200,986. Genie®, Genie® Membrane Probes®, are trademarks or registered trademarks of A+ Corporation, LLC. All other referenced trademarks are the property of their respective owners. © 2012 A+ Corporation. All rights reserved. SCC-751-PS_0116